



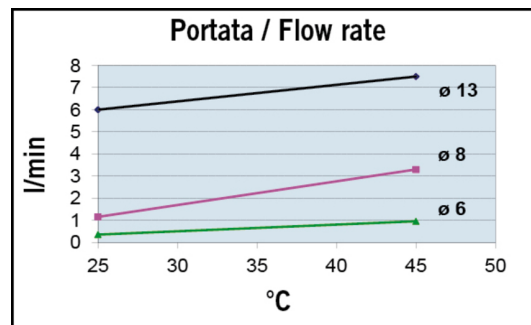
UP3/OIL-R Revers.pump lubricating oil + integr.on/off switch

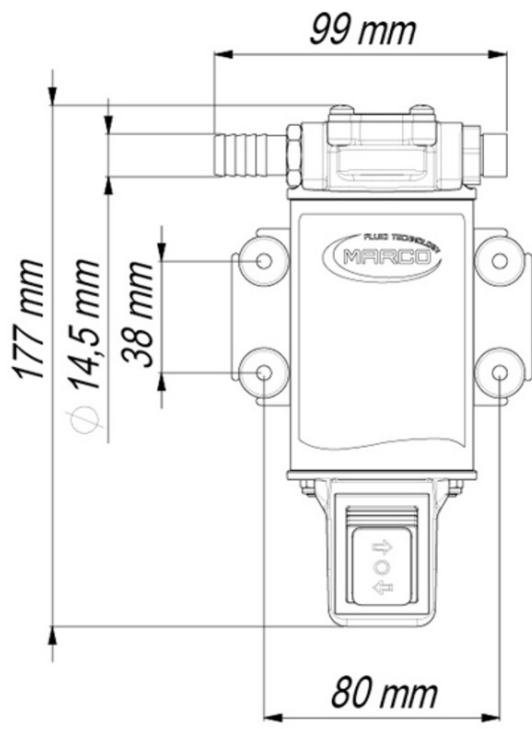


Quick Overview

Professional range of self-priming electric 12V and 24V pumps for the refueling and transfer of water, oil and diesel with ON/OFF switch integrated into the water-proof cap. The -R versions are fitted with a 3 positions switch for the inversion of flow direction.

Part n.	Name	Voltage (V)	Consumption (A)	Fuse (A)	Self-priming (m)	Flow rate d.6 (l/h)	Flow rate d.8 (l/h)	Flow rate d.13 (l/h)	Hose (mm)	Pressure (bar)	Motor power (W)	Ports (BSP)	Weight (kg)
16402212	UP3/OIL-R	12	5	7,5	1	20	60	330	13	2	90	3/8"	1,8
16402213	UP3/OIL-R	24	3	4	1	20	60	330	13	2	90	3/8"	1,8





Dim. 177 x 99 x 88

Ricambi

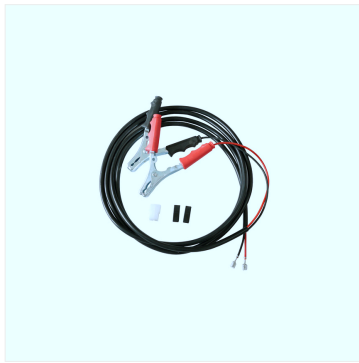


R640001



R640006

Accessori



Kit of cables and battery clips