

SPECIFICATIONS:

MODEL NUMBER: 8000-043-235

PUMP DESIGN: Positive Displacement 3 Chamber Diaphragm Pump

CHECK VALVE: (1-Way Operation) Prevents Reverse Flow

CAM: 3.0 Degree

MOTOR: Permanent Magnet, P/N 11-111-00

VOLTAGE: 12 VDC Nominal

PRESSURE SWITCH: Adjustable Shut-Off (Range 30-50 PSI)

Factory Set @ 50 PSI, Turn On 25 PSI ± 5 PSI

LIQUID TEMPERATURE: 180 Degrees Fahrenheit (82 Degrees Centigrade) Max.

PRIME: Self-Priming Up To 11 Ft. Vertical,

PORTS: 3/8"-18 NPT Female

MATERIAL OF CONSTRUCTION:

PLASTICS- Nylon

VALVES- Viton

DIAPHRAGM- Geolast (Main), Viton (Switch)

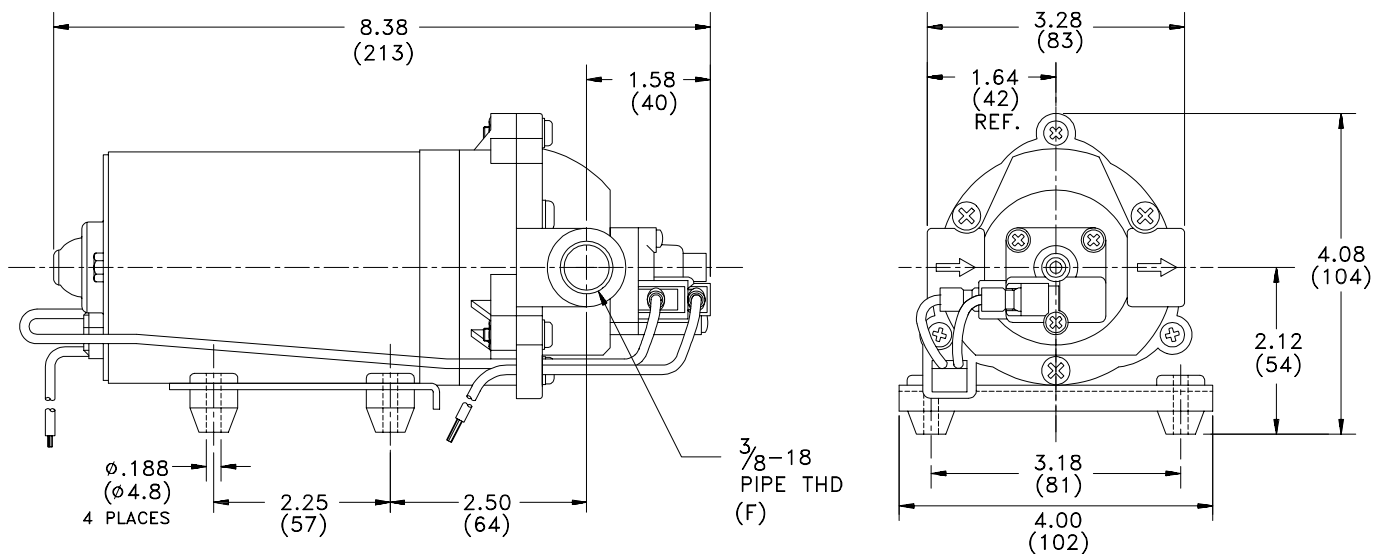
FASTENERS- Zinc Plated Steel

NET WEIGHT: 4.1 Lbs (1.9 Kg)

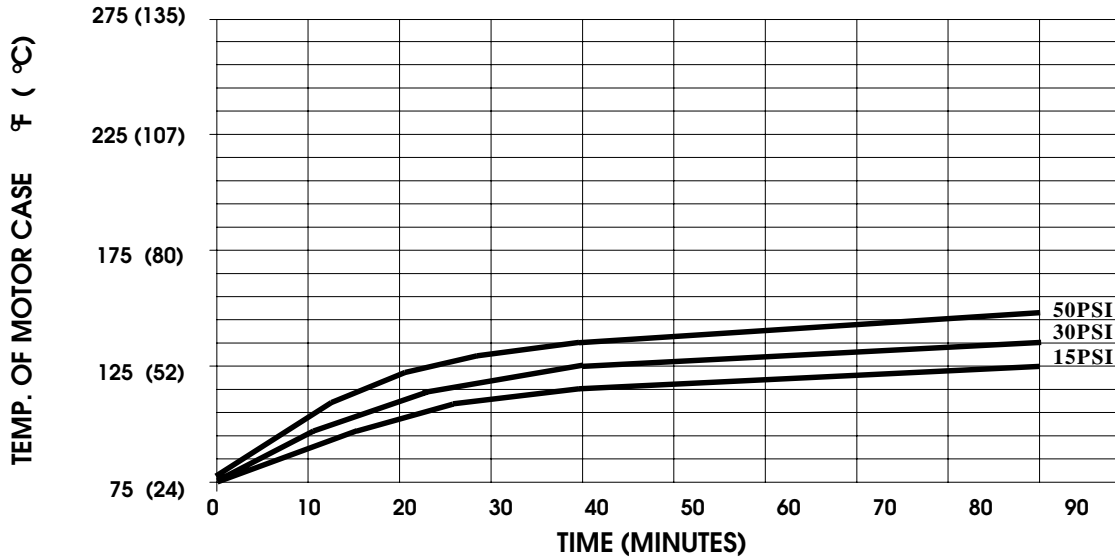
DUTY CYCLE: Continuous (See Temperature Rise Chart)

TYPICAL APPLICATIONS: Road Roller Equipment

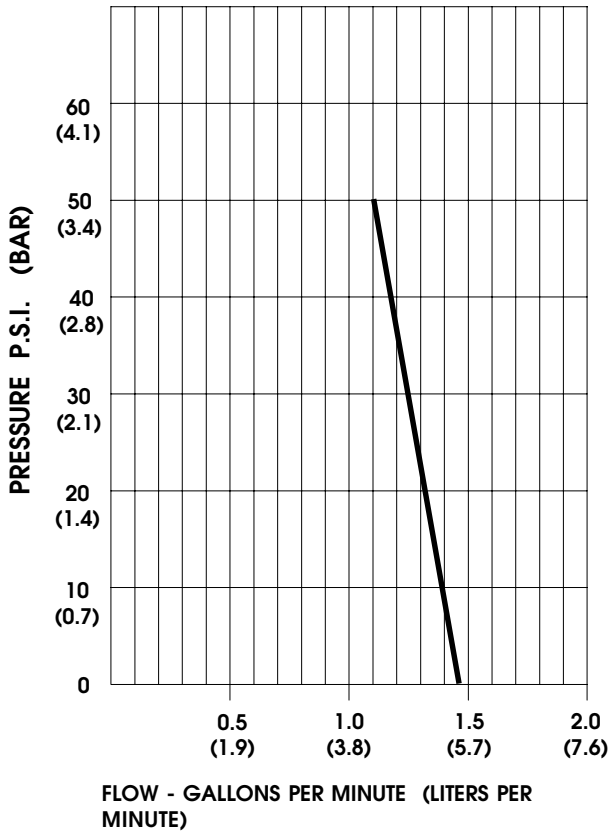
DIMENSIONS:



TEMPERATURE RISE



TYPICAL PERFORMANCE



PRESSURE (PSI)	FLOW (GPM/LIT)	RPM MIN/MAX	CURRENT (AMPS)	VOLTAGE (VOLTS)
OPEN	1.44/5.4	2345/2375	3.1	12VDC
10	1.36/5.1	2280/2330	3.9	"
20	1.30/4.9	2225/2270	4.5	"
30	1.24/4.7	2170/2225	5.2	"
40	1.17/4.4	2125/2170	5.8	"
50	1.11/4.2	2070/2130	6.4	"

-SPECIFICATIONS SUBJECT TO CHANGE WITHOUT NOTICE.

-ALL DATA BASED ON TESTING WITH WATER AT AMBIENT TEMPERATURE.